



INDUSTRIES, INC.

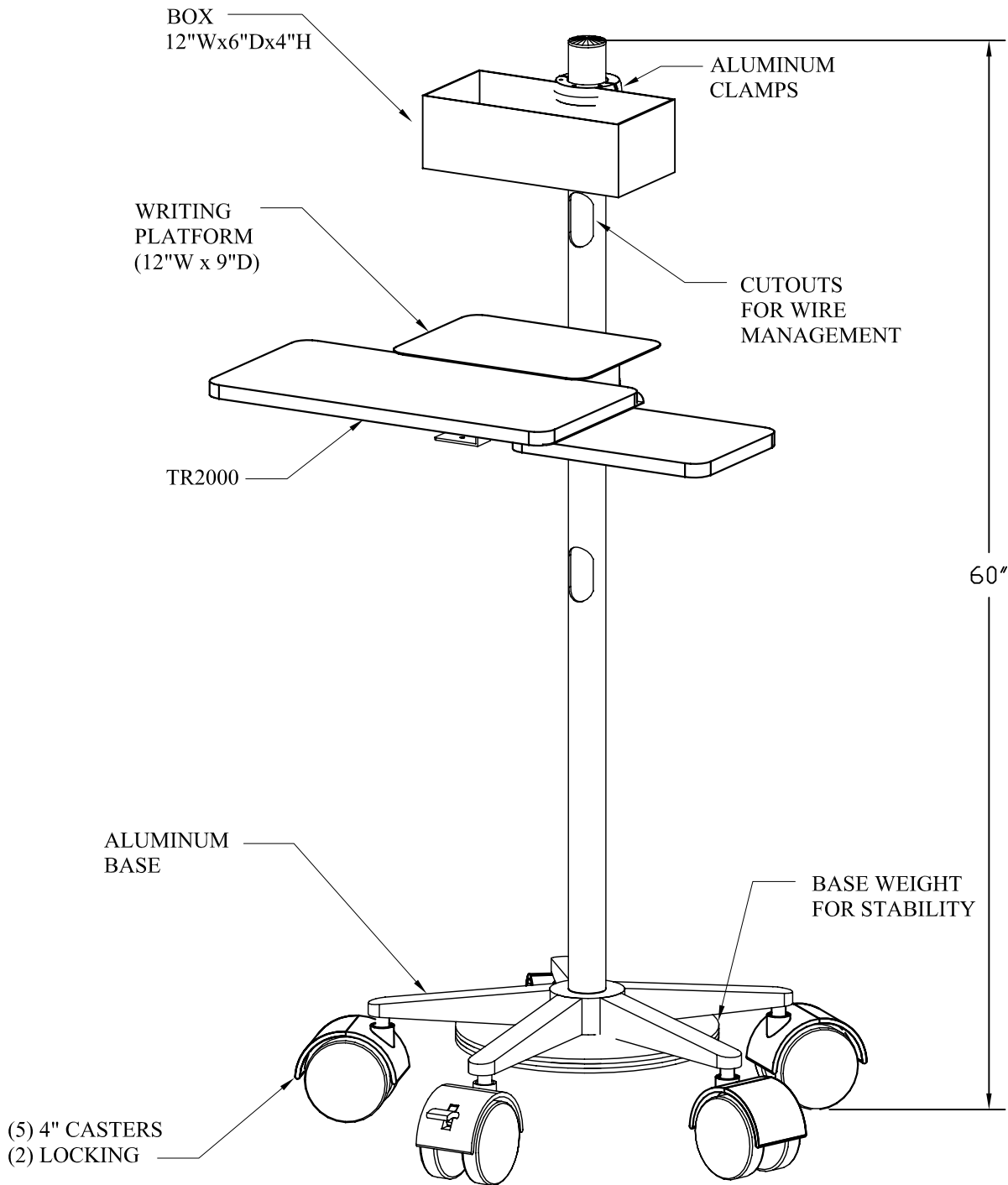
13-16 133 PLACE
COLLEGE POINT, NY 11356

TEL: (718)747-0237
FAX: (718)747-0726

THE PLANS AND DRAWINGS CONTAINED HEREIN ARE PROPRIETARY AND MAY NOT BE COPIED OR REPRODUCED MECHANICALLY, ELECTRONICALLY OR BY ANY MEANS WITHOUT WRITTEN PERMISSION FROM AFC INDUSTRIES, INC.



MOBILE POLE CART - 200



MATERIAL :	DRAWN BY : BD	DATE: 04/09/07	DESCRIPTION :
	A P P R O V E D		MOBILE POLE CART 200
TOLERANCES UNLESS OTHERWISE SPECIFIED FRACTIONAL ±1/64 2 PL.. DEC. ±.01 3PLC. DEC. ±.001 ANGULAR ±.5° FINISH √	EN :		USED ON :
	MFG. :		PATH :
	QA :		CARTS\Mobile Pole cart\2006\MPC_200
	SCALE: N.T.S.	SHEET : 1 OF 1	FILE NAME: PCMK-Dave Sleuth